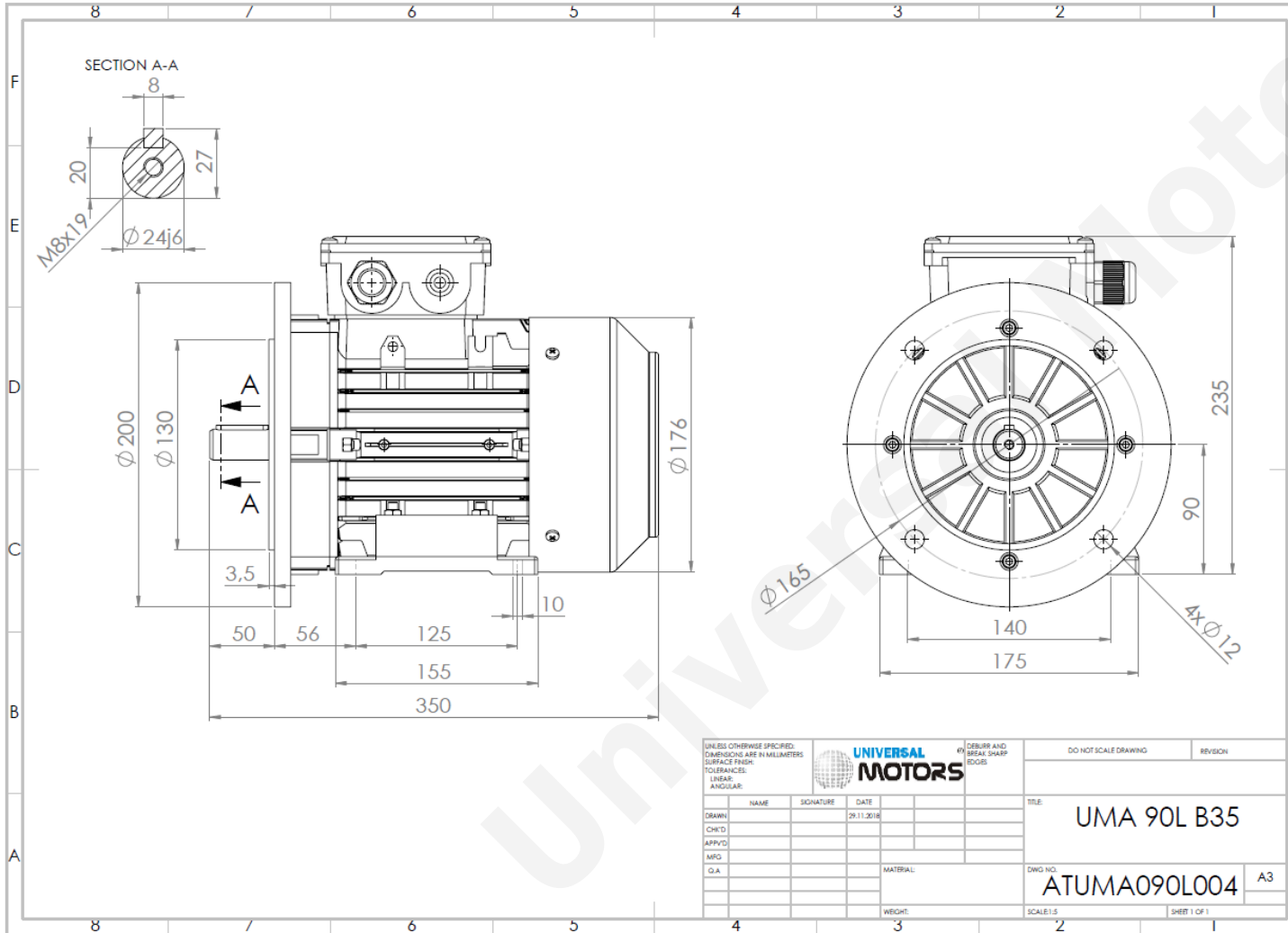




# TECHNICAL DATA

Three Phase Electric Motors - Aluminum Frame  
 UM3A 90L1-4 IE3  
 1.5 kW / 2 Cv  
 1440 RPM



Motor type:	<b>UM3A 90L1-4 IE3</b>
Output:	<b>1.5 kW / 2 Cv</b>
Speed (min <sup>-1</sup> ):	<b>1440 RPM</b>
Frequency:	<b>50 Hz</b>
Voltage:	<b>400 V</b>
Current:	<b>3.48 A</b>
Power factor (Cos Ø):	<b>0.73</b>
Poles:	<b>4</b>
Insulation class:	<b>F</b>
Temperature rise Class:	<b>B</b>
Efficiency 50%:	<b>83.1 %</b>
Efficiency 75%:	<b>85.3 %</b>
Efficiency 100%:	<b>85.3 %</b>
Torque:	<b>10.0 N.m</b>
Tstarting/Tnominal:	<b>4.1</b>
Istarting/Inominal:	<b>8.1</b>
Tmaximum/Tnominal:	<b>4.1</b>
Noise:	<b>61 Db(A)</b>
Weight:	<b>18.0 Kg</b>
Brake AC:	<b>AC4</b>
Torque Brake DC:	<b>16 N.m</b>
Bearing DE:	<b>6205 2Z</b>
Bearing NDE:	<b>6205 2Z</b>
Torque Brake AC:	<b>20 N.m</b>
Brake DC:	<b>REB-05-10</b>

UNLESS OTHERWISE SPECIFIED, DIMENSIONS ARE IN MILLIMETERS				UNIVERSAL MOTORS		DO NOT SCALE DRAWING		REVISION	
SURFACE FINISH:				DEBURR AND BREAK SHARP EDGES					
TOLERANCES:									
LINEAR:									
ANGULAR:									
DRAWN	NAME	SIGNATURE	DATE	TITLE:					
CHK'D			29.11.2018	UMA 90L B35					
APP'VD				DWG NO.:		ATUMA090L004		A3	
MRG				MATERIAL:					
Q.A.				WEIGHT:					
				SCALE: 1:1		SHEET 1 OF 1			

Regime - S1

Altitude - 1000m

Environment Temperature - 40°C

## CONTACTS:

UNIVERSAL MOTORS Tel: +351 252 299 080  
 Rua de São Brás,745 Fax: +351 252 299 089  
 4480-782 VILA DO CONDE Mail: [geral@universalmotors.pt](mailto:geral@universalmotors.pt)

\* References applied only in the UK